

SL SERIES

SL-1.6AAKLT SL-2AAKLT



INDEX

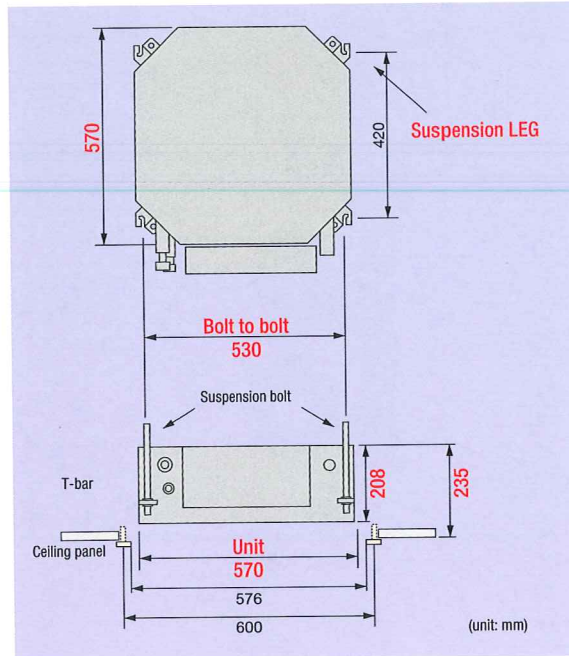
Specificationsp.16
 Optionp.21

Perfect Panel Size

Our 570 mm SL Series are slim, attractive, yet powerful units. The SL's size and shape, which perfectly match 2-by-2 ceilings, and its lighter weight of 16.5 kg make installation even easier and more convenient.

Slim Unit Body Offers Easy Installation

The slim 570mm body and its octagonal shape, which keeps the space between bolts at 530mm, ease installation and ensure trouble-free maintenance.



35 dB Whisper-Quiet Operation

Ideal for cafés, bars, restaurants, and shops. Give all your customers the comfortable environment they deserve.

2,500 Hour Long Life Filter

Greatly reduces the frequency the filter needs to be replaced, making maintenance all the easier.

Fresh Air Intake

Provides indoor air of the highest quality.

Smudge-Free Airflow

Reduces annoying drafts and smudging.

Features at-a-glance

Installation & Maintenance	Comfort	Others
• Compact design	• Auto-swing	• System control
• Drain water lift-up (500mm)	• Smudge free	• Auto restart
• Long-life filter (2500 hrs.)	• Computerized dehumidifier	• Fresh Air intake
• Flockless vanes	• Quiet operation	• Outdoor unit upper guaranteed operating range up to 46°C



GENERAL SPECIFICATIONS FOR ALL MODELS

■ Notes for All Specifications

- *1 Rating conditions
Indoor: 27°C DB, 19°C WB
Outdoor: 35°C DB
Refrigerant piping length (one-way): 5m
- *2 Total input based on indicated voltage (indoor/outdoor)

Models	SL-1.6, 2 PL-2.5, 3, PC-3, PS-3 SE-1.6, 2, 2.5, PE-3	PL-4, 5, 6 PK-4, PC-4, 5, 6 PS-4, 5, 6 PE-4, 5, 6, PED-5AAK
50 Hz	1ph. 220V / 1ph. 220V	1ph. 220V / 3ph. 380V

■ Guaranteed Operating Range [Cooling]

Models	Limits	Indoors			Outdoors		
PL/PK/PC/PS/PE/PED Series				PU-VJ, PU-VLJ (S)	PU-YJ (S)	PU-YAKD	
	Lower	21°C DB, 15.5°C WB	21°C DB	21°C DB			
	Upper	35°C DB, 22.5°C WB	46°C DB	52°C DB	46°C DB		
SL/SE series			SU-1.6/2/2.5VAAKT				
	Lower	21°C DB, 15°C WB	21°C DB				
	Upper	32°C DB, 23°C WB	46°C DB				

■ Refrigerant Piping

Models	Between indoor & outdoor units		Pipe size O.D. mm
	Max. height difference	Max. piping length	
SL-1.6, SE-1.6	10	20	Liquid: 6.35, Gas: 12.7
SL-2	5	15	Liquid: 9.52, Gas: 15.88
SE-2	5	15	Liquid: 9.52, Gas: 15.88
SE-2.5	5	15	Liquid: 9.52, Gas: 15.88
PL-2.5	20	30	Liquid: 9.52, Gas: 15.88
PL-3, PC-3, PS-3, PE-3			
PL-4, PK-4, PC-4, PS-4, PE-4	30	40	Liquid: 9.52, Gas: 19.05
PL-5, PC-5, PS-5, PE-5, PED-5	50	50	
PL-6, PC-6, PS-6, PE-6			

■ Additional Refrigerant Charge [R-22: kg]

Models	Piping length (one-way)									
	5m	10m	15m	20m	25m	30m	35m	40m	45m	50m
SL-1.6, SE-1.6	0	0.045	0.12	0.195	—	—	—	—	—	—
SL-2, SE-2, SE-2.5	0	0.045	0.12	0.195	—	—	—	—	—	—
PL-2.5	0	0	0	0	0.06	0.12	—	—	—	—
PL-3, PC-3, PS-3, PE-3	0	0	0	0	0.06	0.12	—	—	—	—
PL-4, PK-4, PC-4, PS-4, PE-4	0	0	0	0	0.15	0.30	0.45	0.60	—	—
PL-5, PC-5, PS-5, PE-5, PED-5	0	0	0	0	0.15	0.30	0.45	0.60	0.75	0.90
PL-6, PC-6, PS-6, PE-6	0	0	0	0	0.15	0.30	0.45	0.60	0.75	0.90

* No additional refrigerant charging necessary for up to 20 metres. (PL/PK/PS/PE/PED Series)

* No additional refrigerant charging necessary for up to 7 metres. (SL/SE Series)

■ Power Supply

Power supply		Models							
		1.6 HP	2 HP	2.5 HP	3 HP	4 HP	5 HP	6 HP	
50Hz	1ph	220V, 230V, 240V	SL-1.6AAKLT SE-1.6AAKT SE-1.6AAKLT SU-1.6VAAKT	SL-2AAKLT SE-2AAKT SE-2AAKLT SU-2VAAKT	PL-2.5AAKT PU-2.5VJA SE-2.5AAKT SE-2.5AAKLT SU-2.5VAAKT	PL-3AAKT PC-3GAKT PS-3GAKT PE-3EAKT PU-3VJC	PL-4AAKT PK-4FAKLT PC-4GAKT PS-4GAKT PE-4EAKT PU-4VLJSA	—	—
	3ph	380V / 220V, 400V / 230V, 415V / 240V, 4 wires	—	—	—	PL-3AAKT PC-3GAKT PS-3GAKT PE-3EAKT PU-3YJC	PL-4AAKT PK-4FAKLT PC-4GAKT PS-4GAKT PE-4EAKT PU-4YJSA	PL-5AAKD PC-5GAKD PS-5GAKD PE-5EAK PED-5AAK PU-5YAKD	PL-6AAKD PC-6GAKD PS-6GAKD PE-6EAK PU-6YAKD

Note: 1. V: 1ph, 220V, 230V, 240V, 50Hz; Y: 3ph, 380/220V, 400/230V, 415/240V, 50Hz, 4 wires

2: primary power supplies for all indoor units are single-phase.